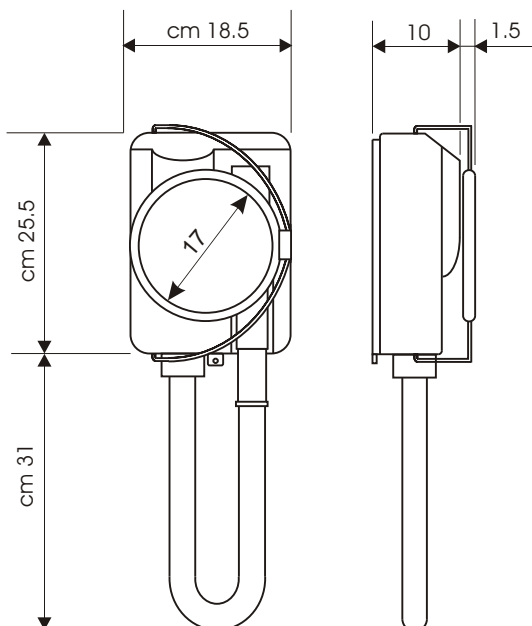


Cod. 114 S

As serie 114 but with a double mirror, normal and enlarger, revolving and adjustable at different heights.



Dimensions



Technical Sheet

Functioning	Extracting the hose
Material	UV resistant ABS Nylon Uninflammable
Voltage	220/240 V
Frequency	50/60 Hz
Power	1.000 W
Air Flow	80 m ³ /h
Noise level	65 dB
Liquid protection degree	IPX4
Electric protection degree	Class II
Wall installation	By furnished plug or Direct on the wall
Quality marks	